

Singer 69-26

Form 19585
(Rev. 155)
Printed in U. S. A.

HISTORICAL COPY
DO NOT REMOVE

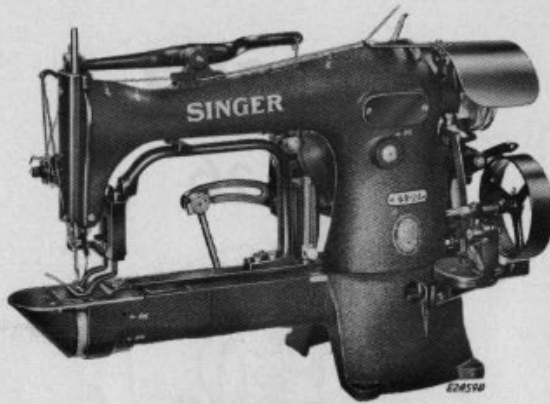
SINGER**
69-26



THE SINGER MANUFACTURING COMPANY

**A Trade Mark of THE SINGER MANUFACTURING COMPANY

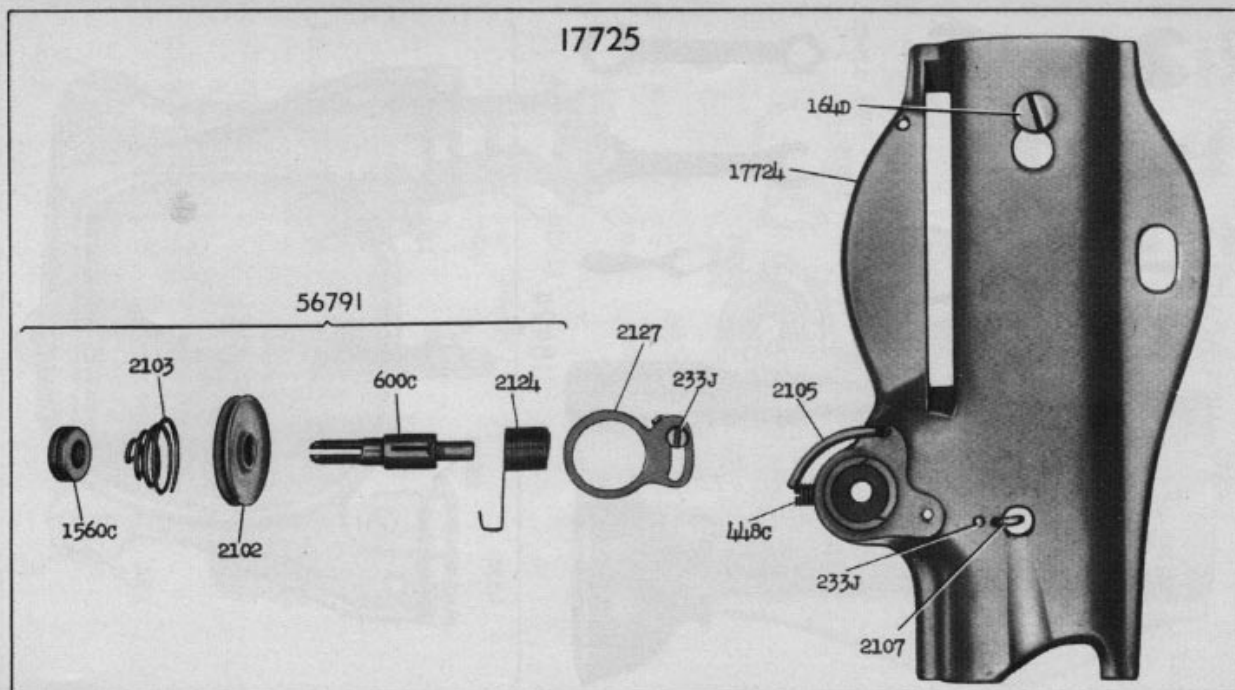
From the library of: Diamond Needle Corp



Copyright, U. S. A., 1940, 1947 and 1955
by The Singer Manufacturing Company
All Rights Reserved for all Countries

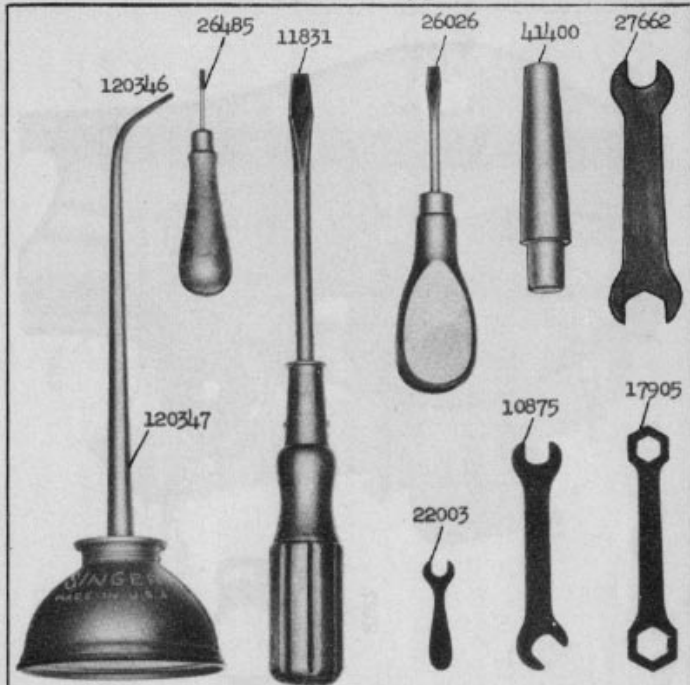
From the library of: Diamond Needle Corp

17725

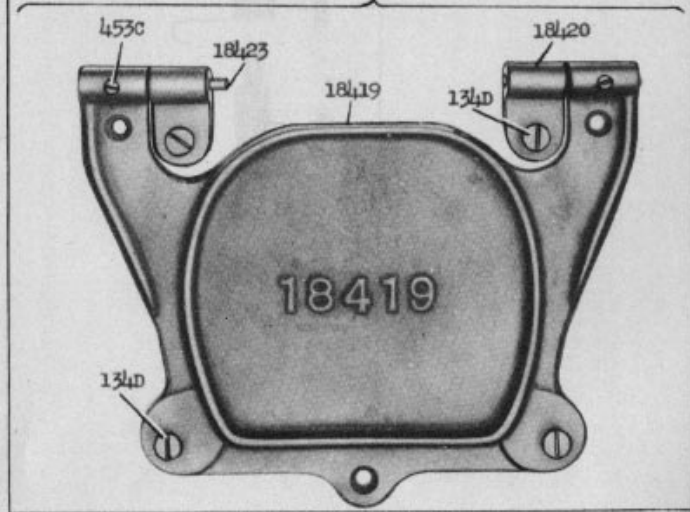


8593 - 2/3

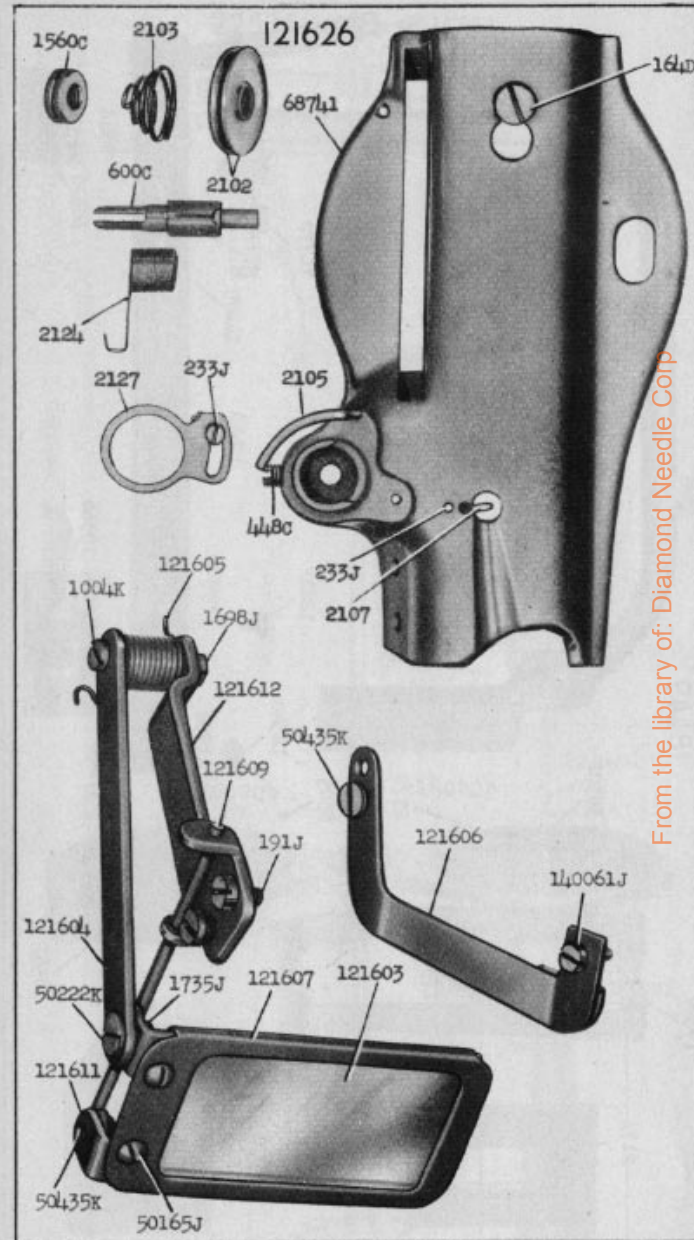
8599 - 1/3



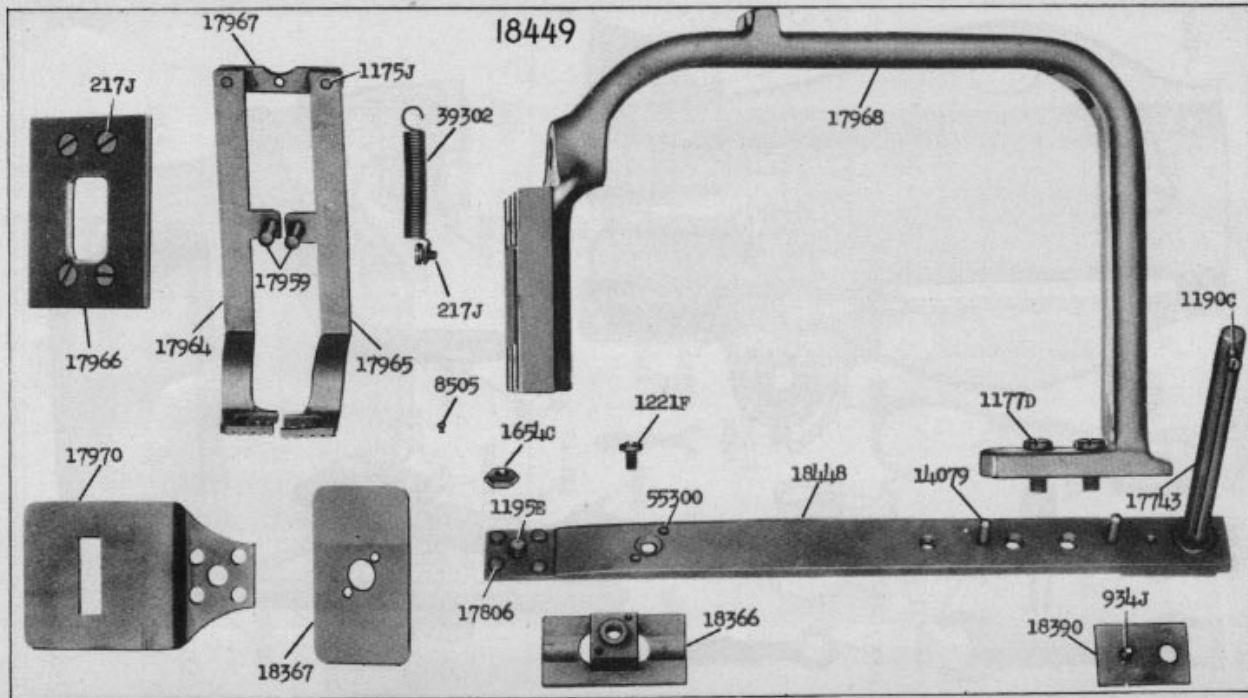
18424



8601 - 2/3

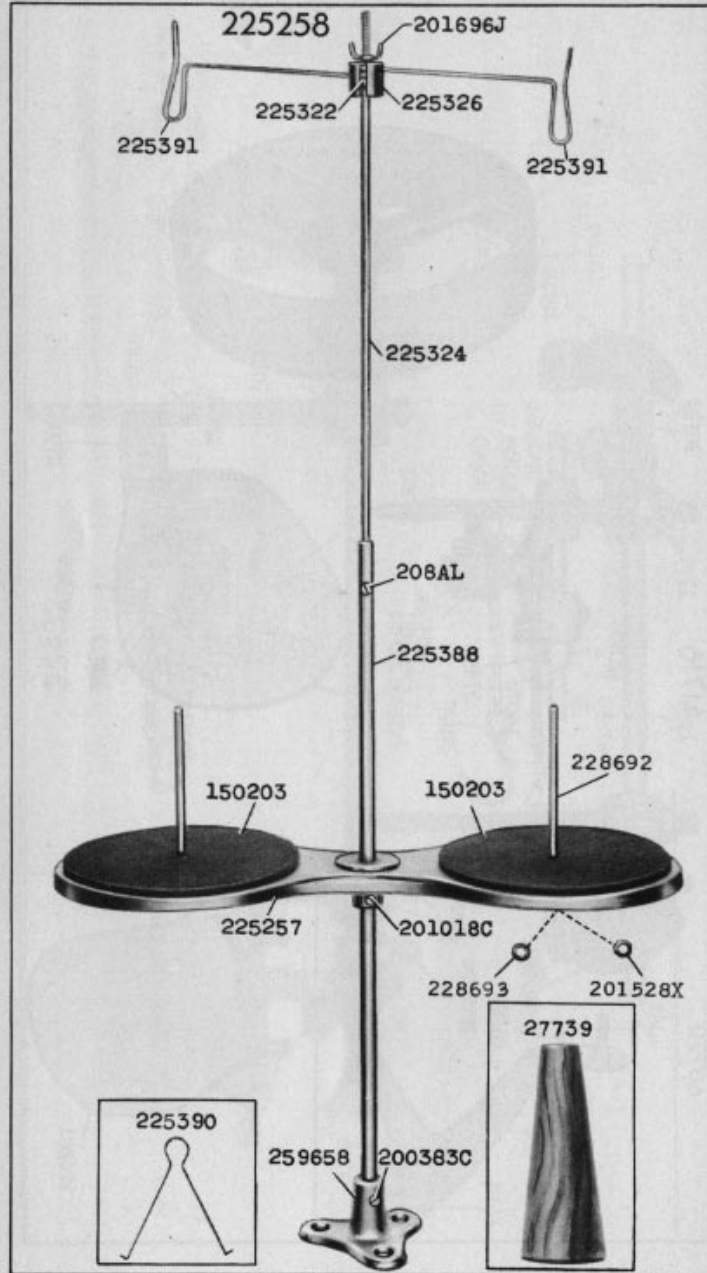


From the library of: Diamond Needle Corp

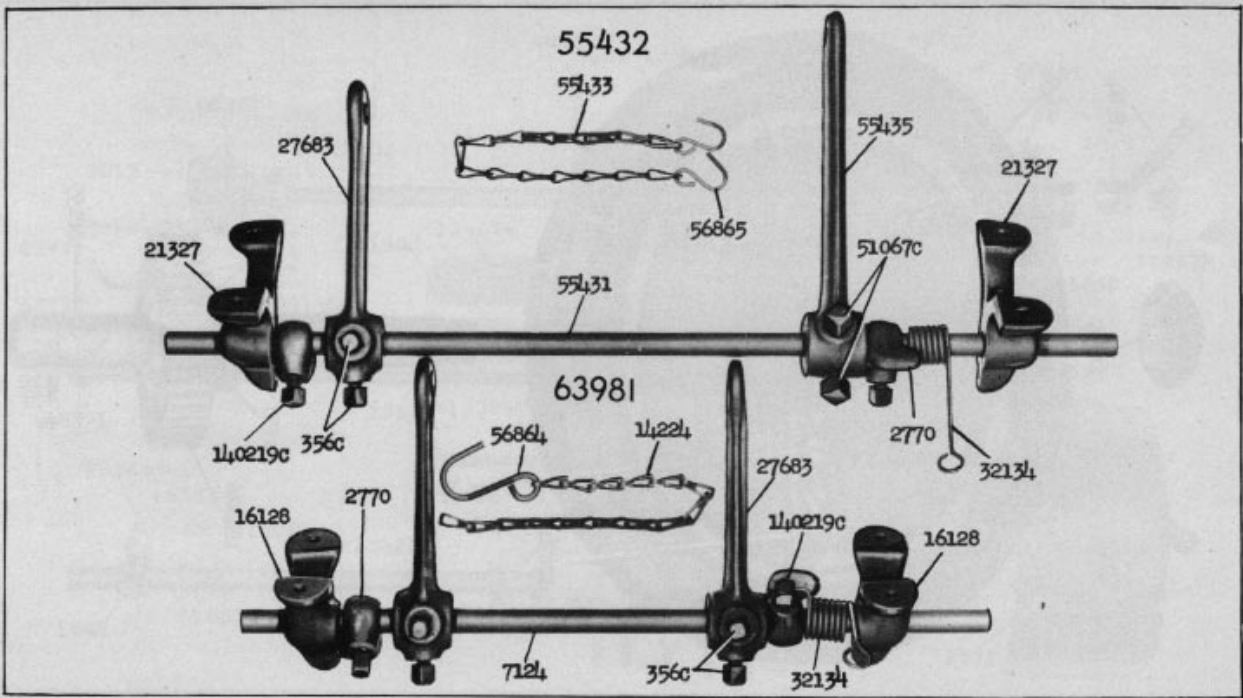
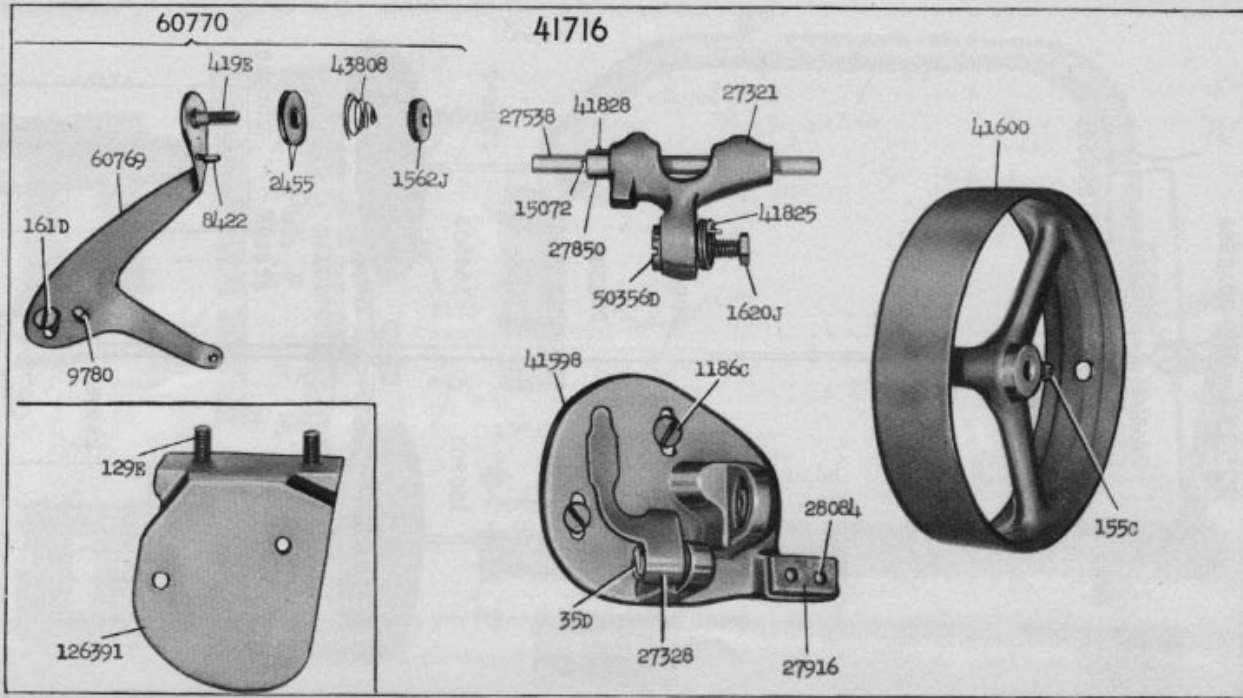


8616 - 1/2

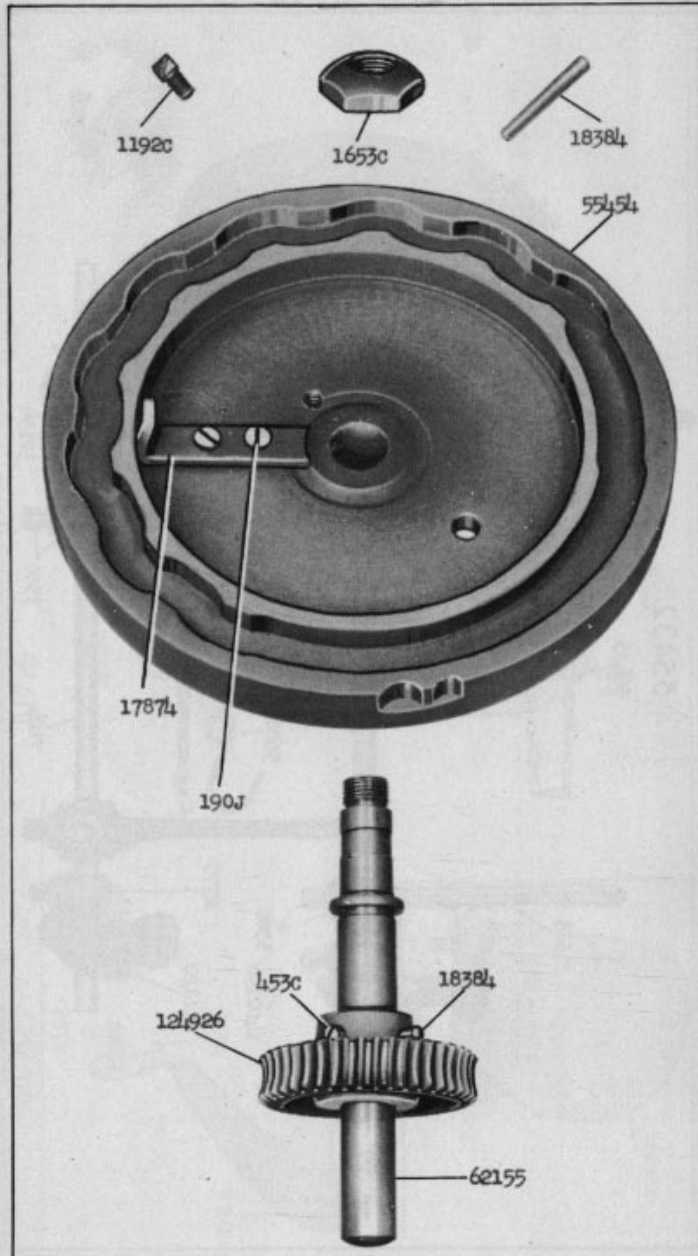
23289 - 1/4

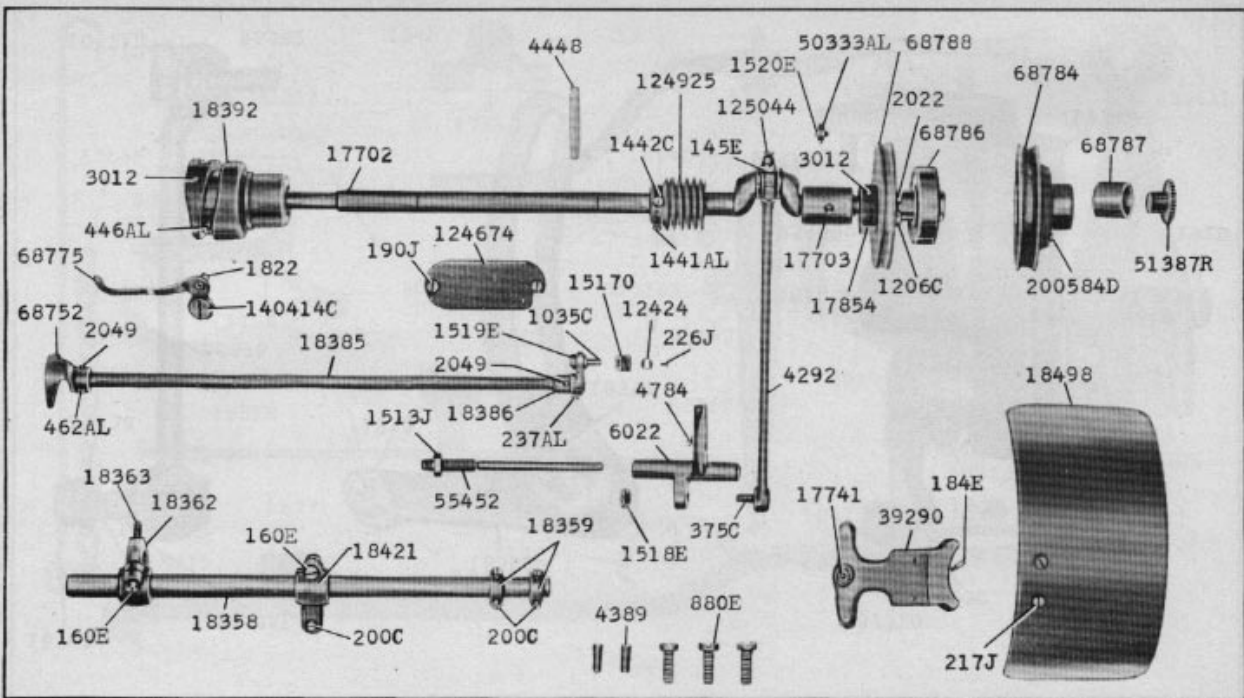


From the library of: Diamond Needle Corp

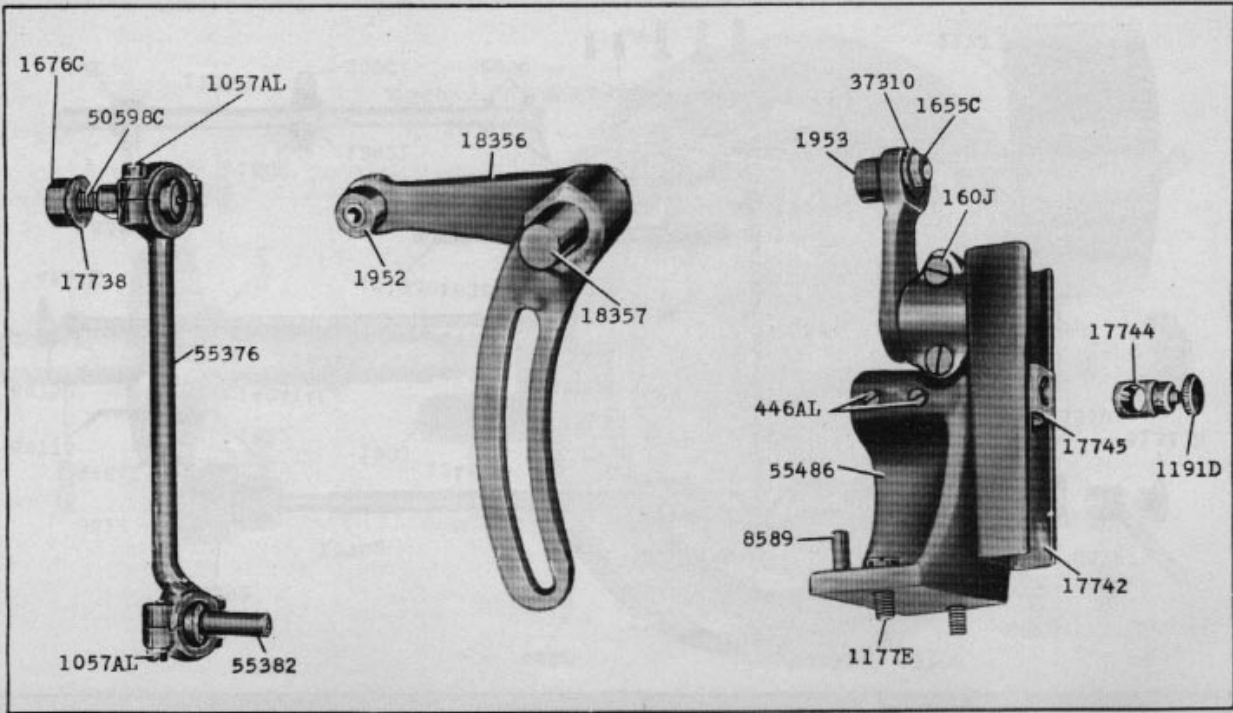


23508 - 1/2

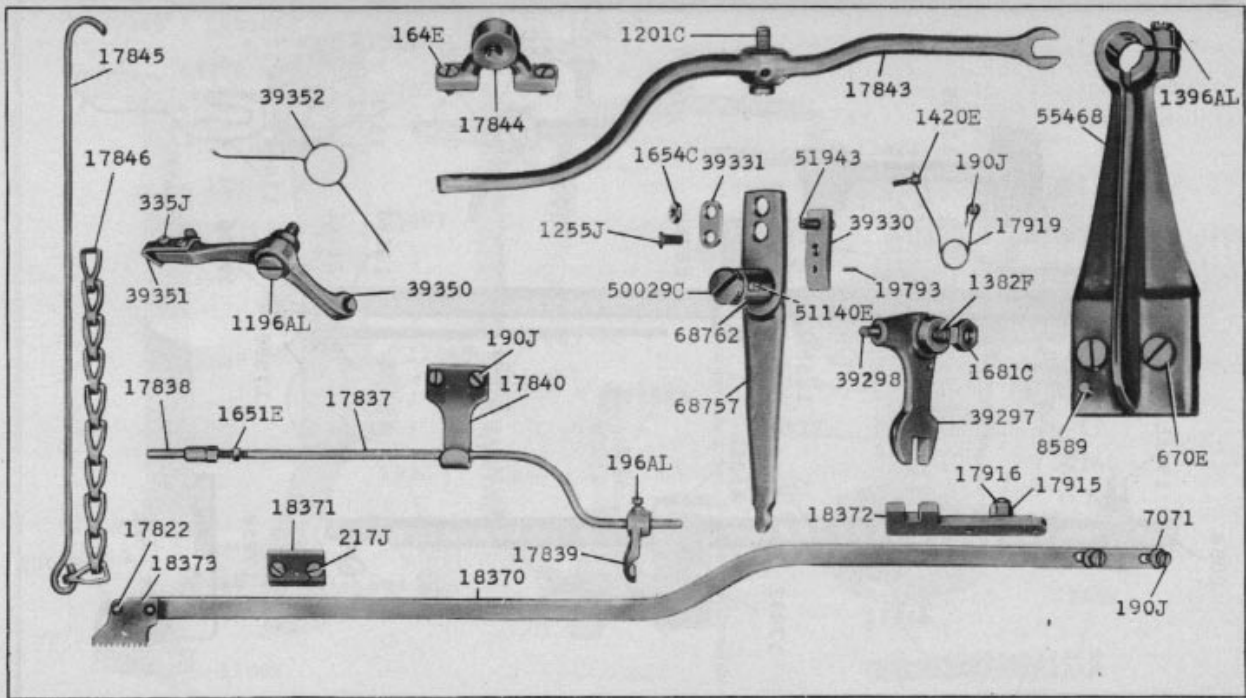




23515-1/4

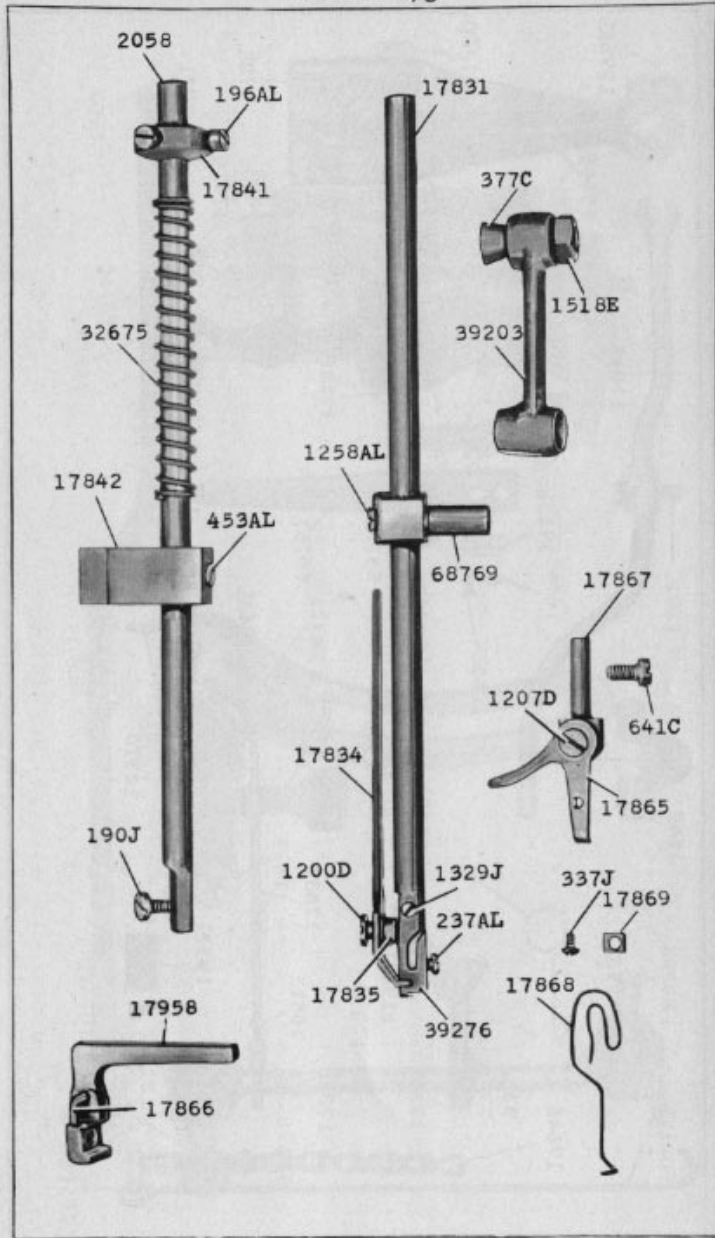


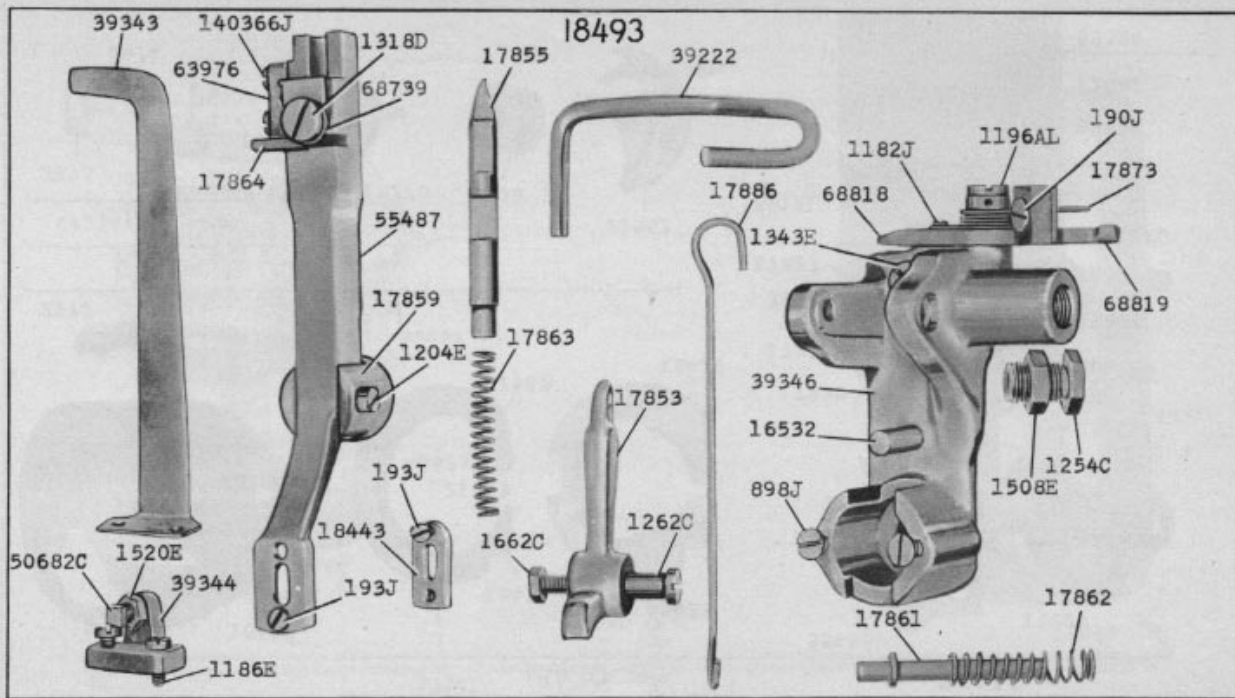
23521-1/2



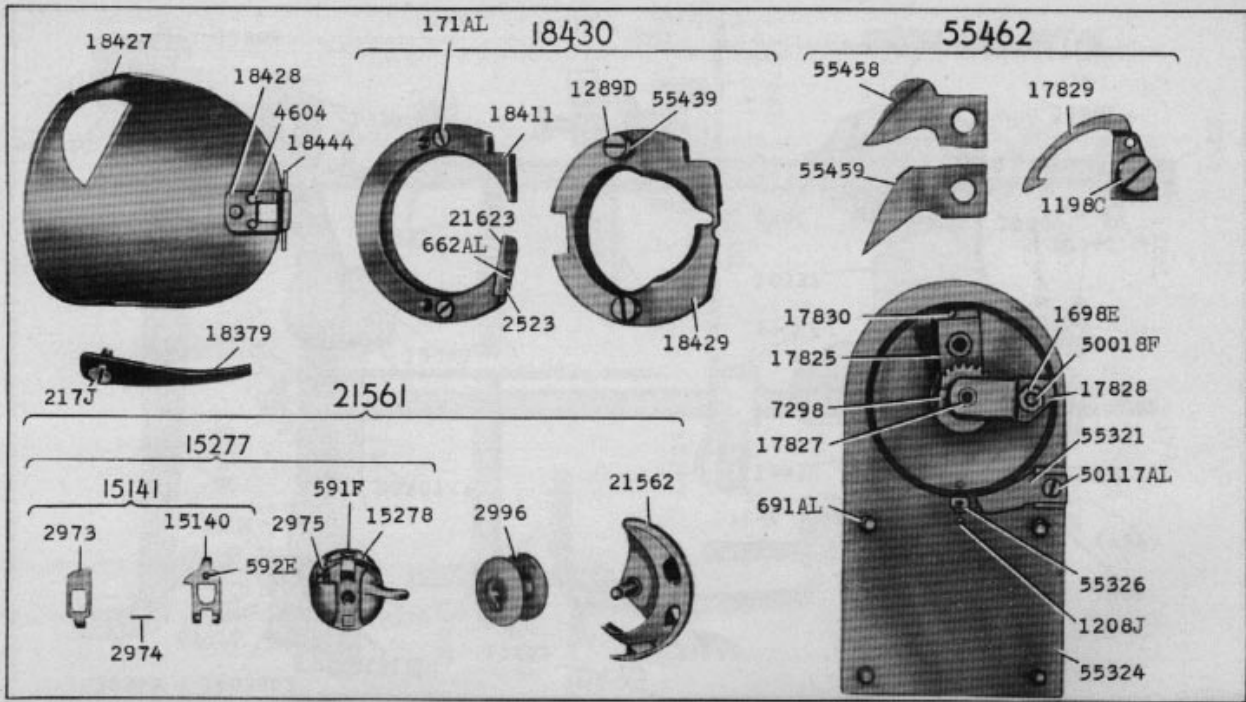
23525-1/3

24309-2/3

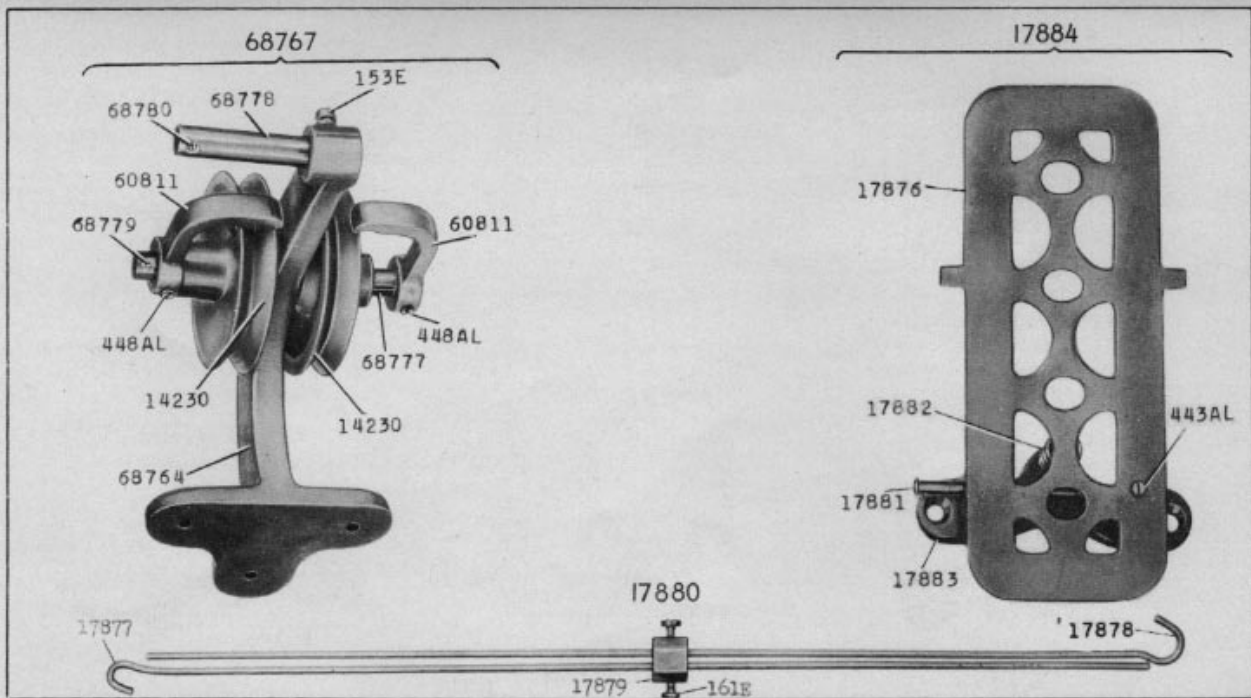




24311-2/3



24313-1/2



24317-1/3